



HORTIVINYL[®]
PRODUCTS FOR HYDROPONICS

A Brand by  **TECNOPERFIL**[®]



Installation Manual

Substrate Cultivation
Gutter for Leafy

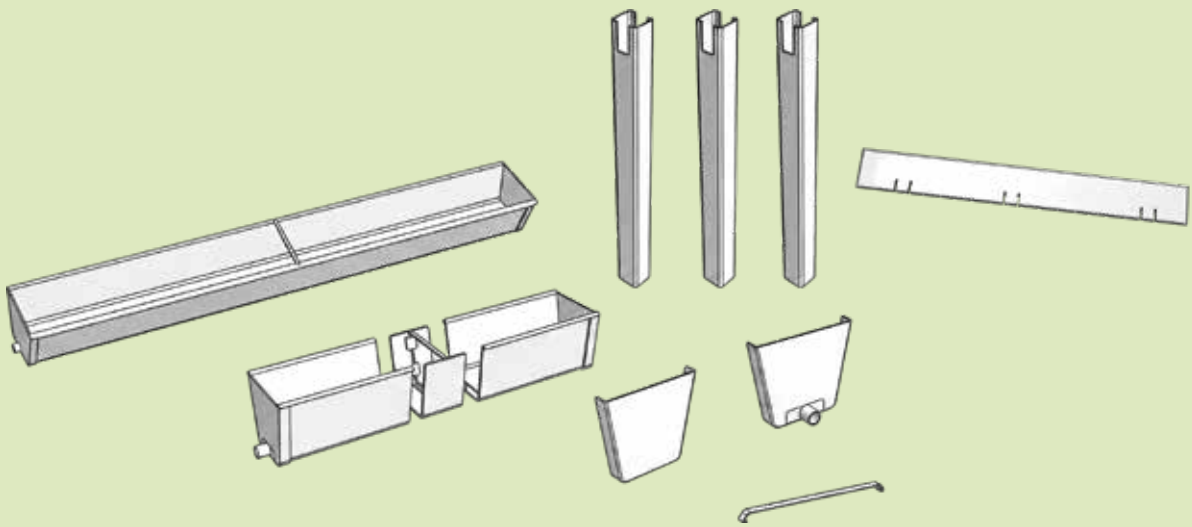


Stands

1

SEPARATE THE NECESSARY PARTS:

First, determine the correct amount of columns and crossbars for each bench line, as indicated in your project

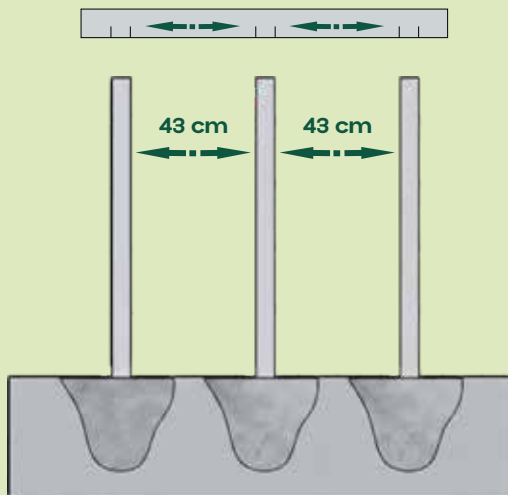


2

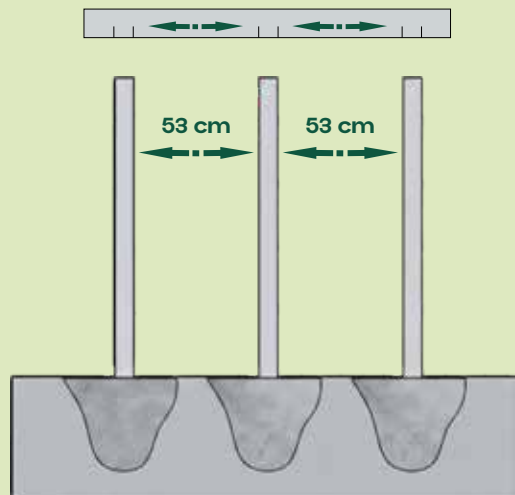
DRILL THE SOIL:

Start drilling the soil to fix the columns. Keep the columns at a distance between 0.80 m and 1.00 m, and the distance between the side columns must be followed based on the guide slots of the crossbars.

For 1.30 m crossbars



For 1.50 m crossbars





Stands

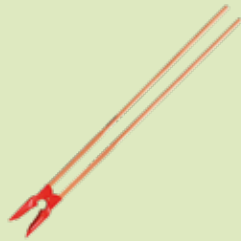
3

CHOOSE THE SOIL DRILLING METHOD:

You can use a soil drill with a 6 to 8 cm auger bit or, if you prefer, dig manually with a post hole digger.



Soil Drill

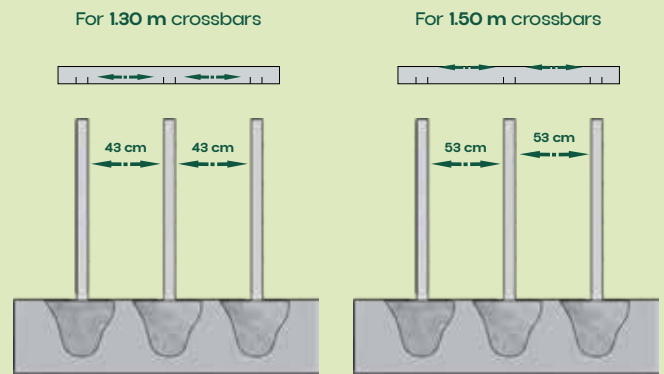


Post Hole Digger

4

LATERAL DISTANCE BETWEEN COLUMNS:

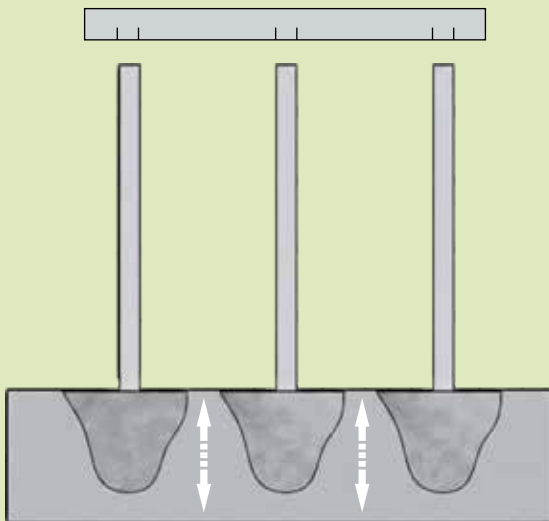
The distance between the columns must be equal to that of the crossbar slots, ensuring the correct fit between the column and trestles.



5

FIX THE COLUMNS:

Prepare the cement mixture and fix the columns, ensuring a minimum depth of approximately 30cm.

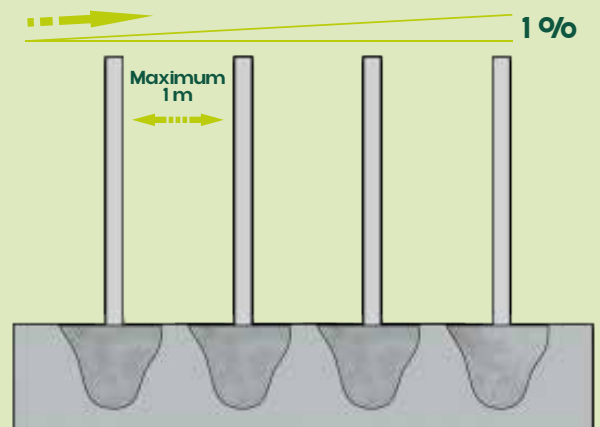


30 cm

6

ENSURE ADEQUATE INCLINATION:

It is important to maintain an inclination of about 1% between the first and the last column to ensure an adequate slope of the system.



Note: see distance between trestles according to the project/budget.

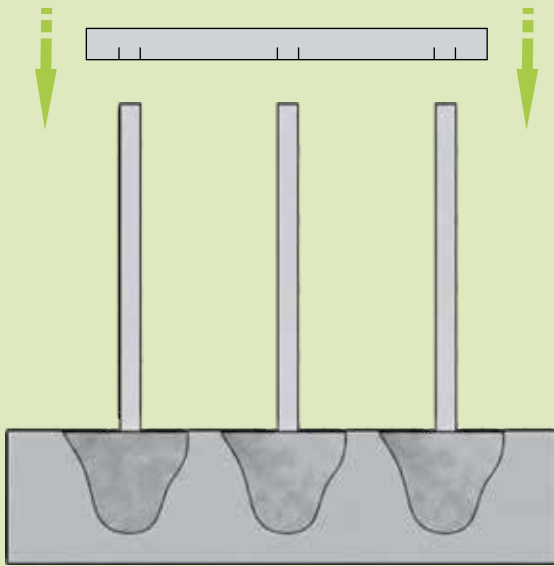


Stands

7

ASSEMBLE THE TRESTLES:

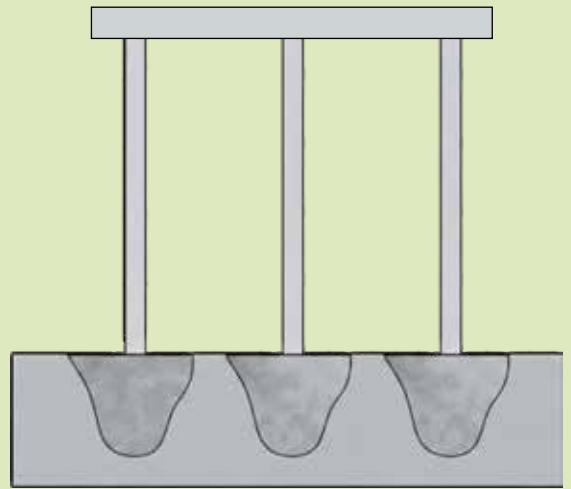
Fit the crossbars over the columns to assemble the trestles.



8

CENTER THE CROSSBARS:

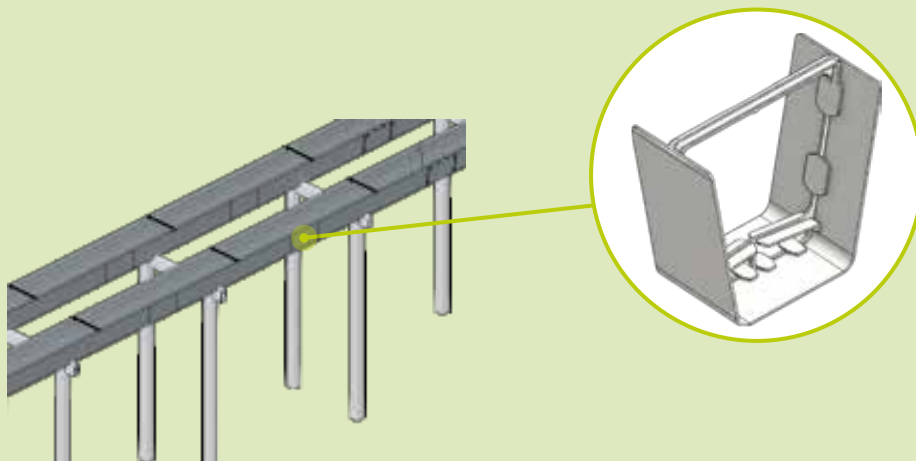
Make sure to center the crossbars on the trestles, dividing the spacing equally to both sides.



Substrate Gutter Joint

9

Support the gutter on the trestles or on a flat, leveled surface.

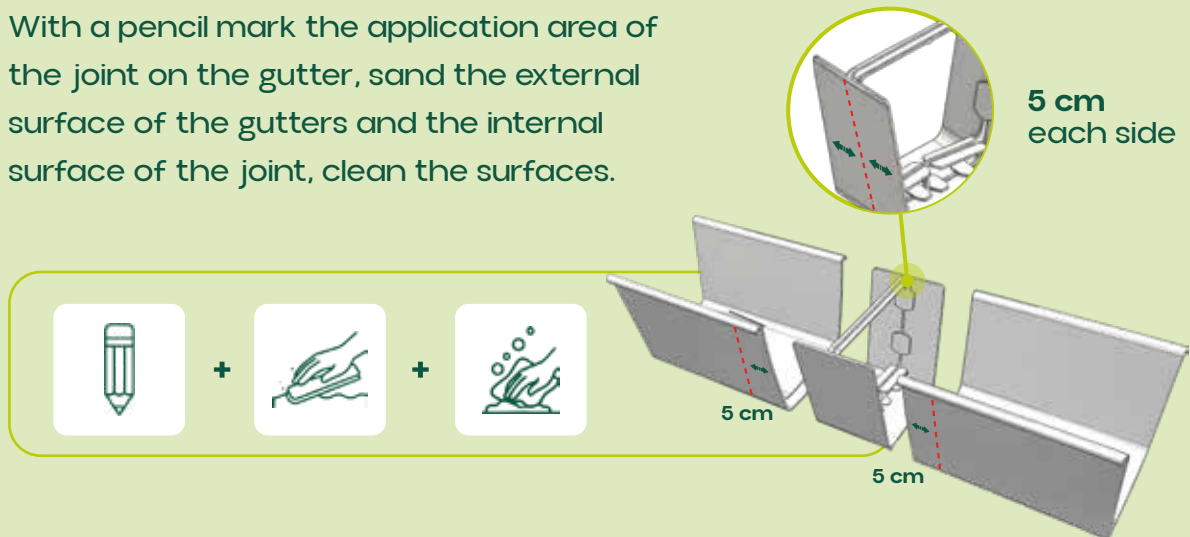




Substrate Gutter Joint

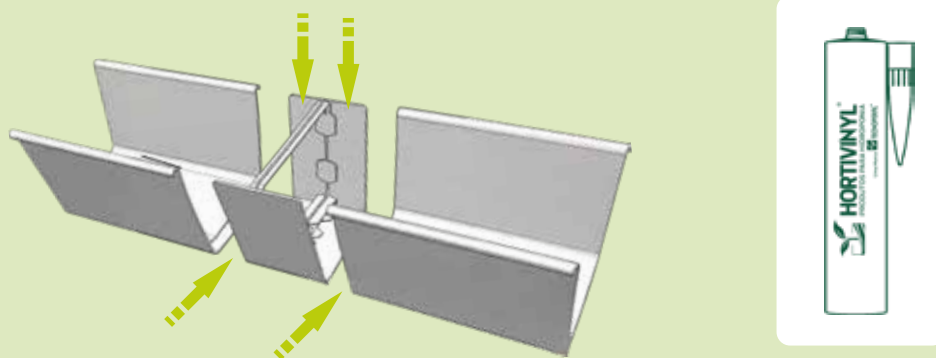
10

With a pencil mark the application area of the joint on the gutter, sand the external surface of the gutters and the internal surface of the joint, clean the surfaces.



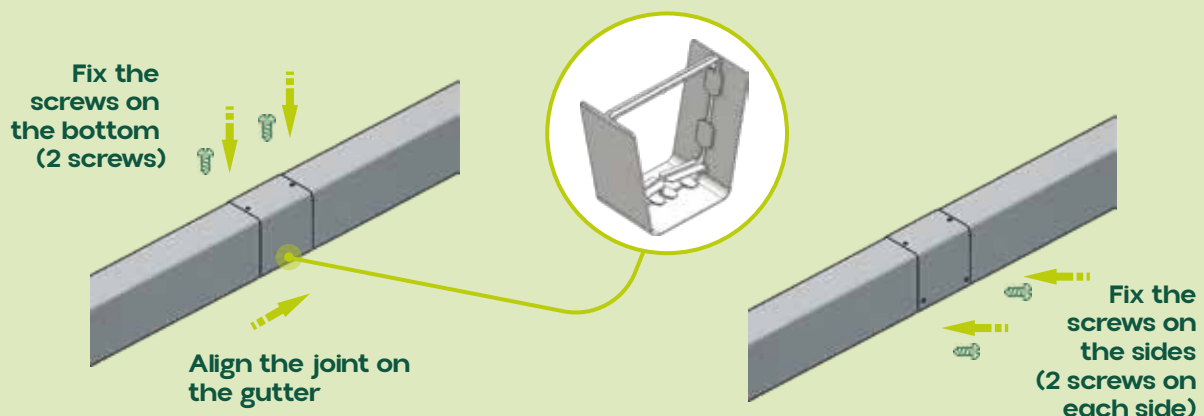
11

Apply the Hortivynyl polymer adhesive to the outside of the gutter and the inside of the joint (it is important to apply the adhesive to the faces of the gutter and the inside of the joint's fitting).



12

Fit the gutter into the joint, ensuring that the gutters are well aligned and touching. Then, fix all the screws.

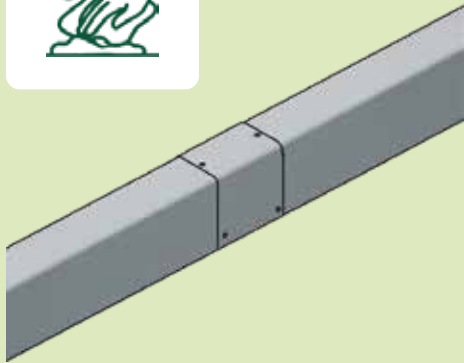




Substrate Gutter Joint

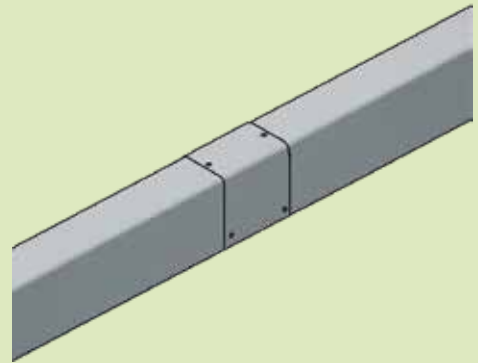
13

Clean up the excess adhesive.



14

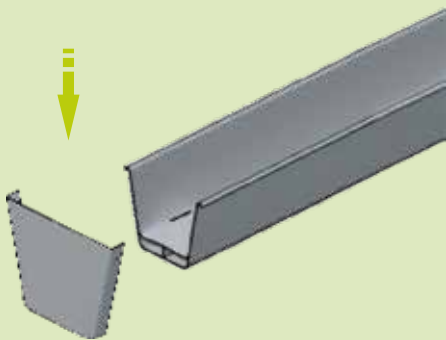
Let it cure for at least 30 minutes and position the gutter on the bench as required by each project.



End caps with and without drain

15

Carefully clean the inside of the end cap and the outside of the beginning of the gutter, apply the Hortivynyl polymer adhesive, and fit the end cap onto the gutter.



+



16

Place the end cap at the beginning of the gutter (end cap without drain at the beginning of the line and end cap with drain at the end of the line).



End Cap without Drain



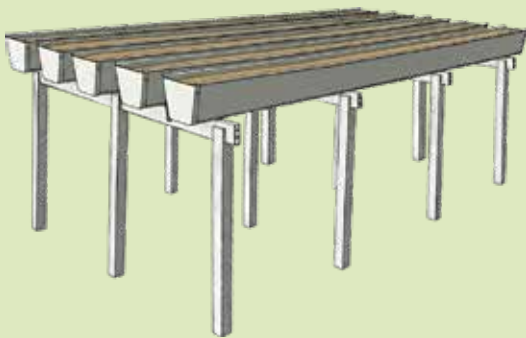
End Cap with Drain



End caps with and without drain

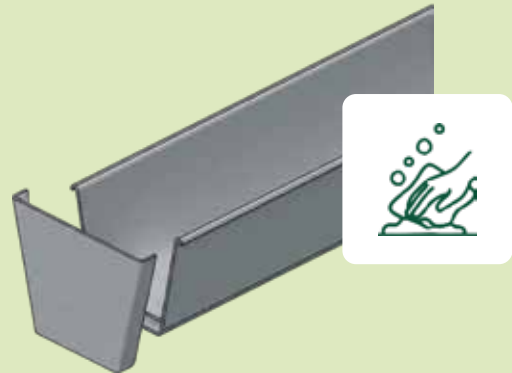
17

Let it cure for at least 30 minutes and position the gutter on the bench as required by each project.



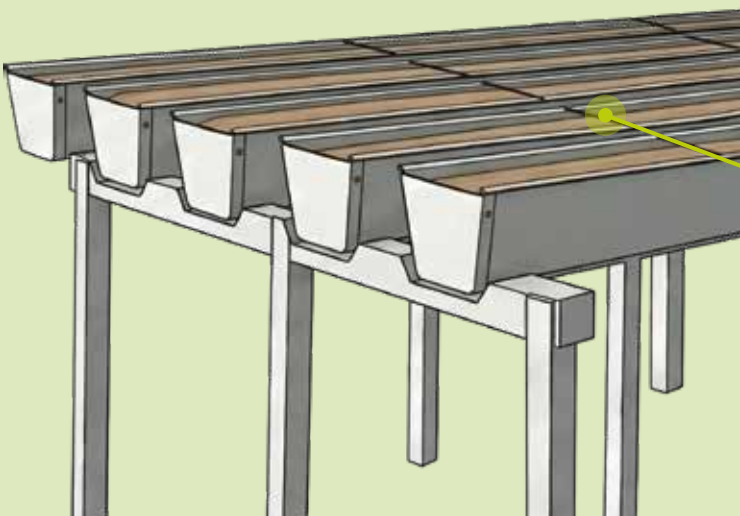
18

Remove the excess adhesive.



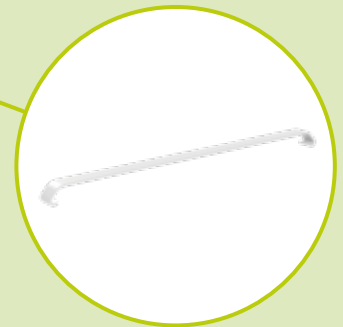
19

Fit the clips under the gutter (01 clip approximately every 50cm).



20

Your bench is ready to receive the substrate and the irrigation system according to the needs of your project.





HORTIVINYL[®]

PRODUCTS FOR HYDROPONICS

A Brand by  **TECNOPERFIL[®]**

We serve all of Brazil and Latin America



WhatsApp
+55 47 **3431.1200**



Visit our website
hortivinyl.com.br



Follow us
@hortivinyl



Aware of its role in the industry, in society, and in the environment, TECNOPERFIL is committed to implementing activities aimed at employee development, through participatory management that promotes social responsibility. Our commitment is to respect the environment and people through responsible administration policies.

Learn about the socio-environmental actions adopted by TECNOPERFIL.
Visit: www.tecnoperfil.com.br/tecno/

Hortivinyl profiles and channels are covered by a 10-year warranty from the date of delivery, against failures, irregularities, or manufacturing defects. To ensure the validity of the warranty, Hortivinyl products must be stored, installed, and used in accordance with the brand's installation, cleaning, and storage manuals. Damage caused by improper use, misuse, natural elements, or issues arising from transportation is not covered under this warranty. If the purchased product is no longer available in our portfolio, TecnoPerfil, manufacturer of the Hortivinyl line, may replace it with a similar product of equivalent quality and intended application. For items in the Hobby line, such as germination tables and starter benches, the 10-year warranty applies exclusively to profiles, columns, crossbars, and collectors. The pump, timer, germination table top, and other accessories carry a maximum warranty period of 3 months.